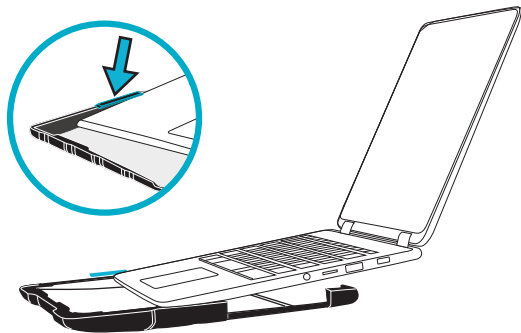


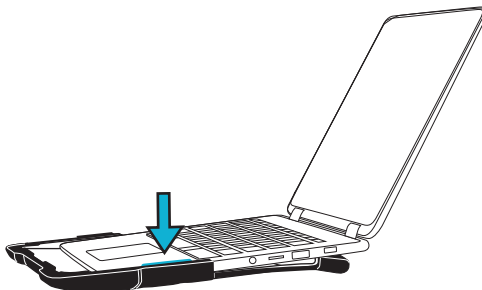
1

Slide the device keyboard under the bottom case's left side clip.



2

Press the other side of the keyboard down to snap into the right side clip securely.



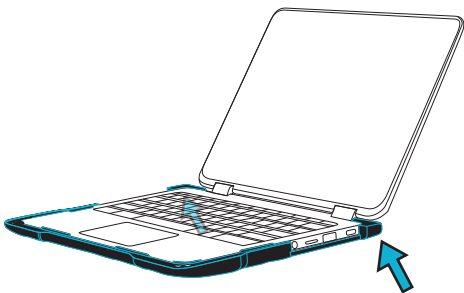
3

Push the keyboard forward until it is flush with the front edge of the bottom case.



4

Carefully press the rear corner clips to snap onto the keyboard.



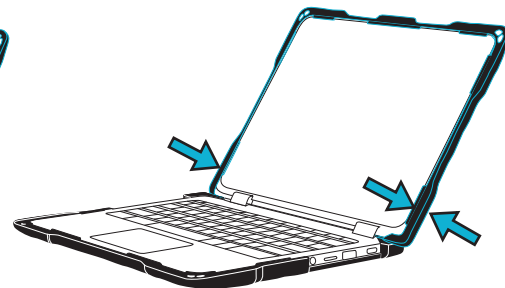
5

Slide the top case down, to secure the screen behind the side clips, until the device reaches the case's top edge.



6

Press the lower side clips over the device, with pressure from both sides, to snap into place securely.



REMOVAL

Gumdrop

CRITICAL!
FOLLOW STEPS 1 AND 2 IN ORDER

Failure to do so may result in damage to the device.



1

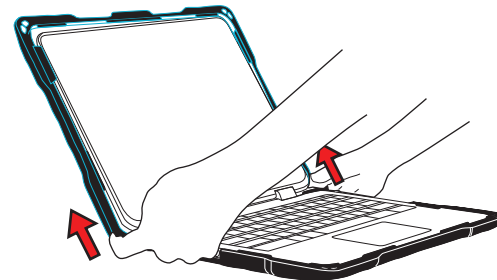
Push the lower left and right side clips outward to release the bottom of the top case from the device.



Be careful when applying pressure

2

Start sliding the top case off by pushing up with your fingers on the bottom corners.



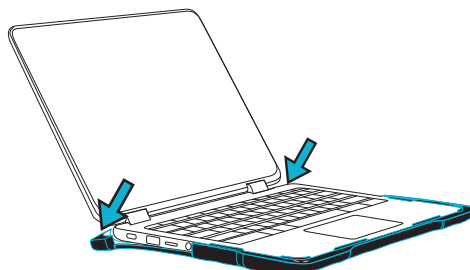
3

Gently slide the top case up and off the device to release it from the upper side clips.



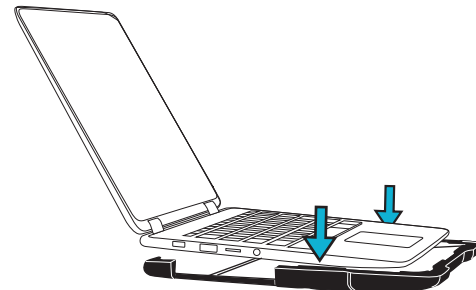
4

Gently push the rear clips down to unhook from the device.



5

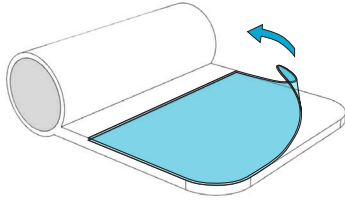
Push the left and right side clips down past the device, one side at a time, to release it from the bottom case.



Fabric stylus holder:

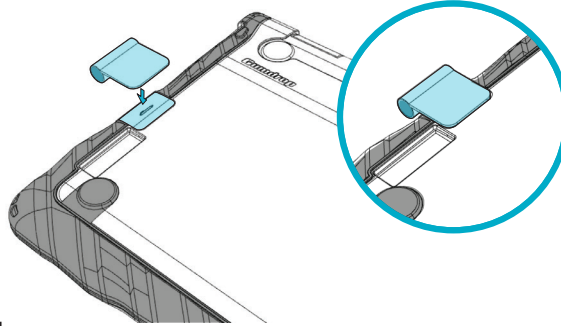
1

Remove protective film off from the stylus holder's adhesive side.



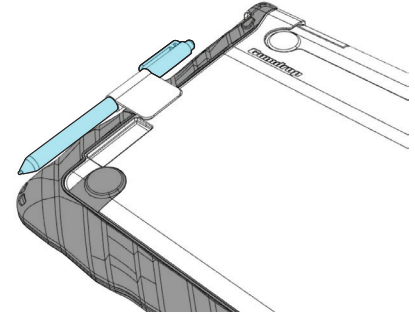
2

Locate the adhesive landing pad on the bottom of the case and adhere the fabric stylus holder to the case.



3

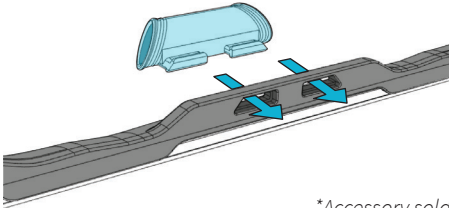
Make sure the fabric stylus holder is securely adhered to the case. Slide stylus pen through the loop to store.



Optional Gumdrop stylus holder:

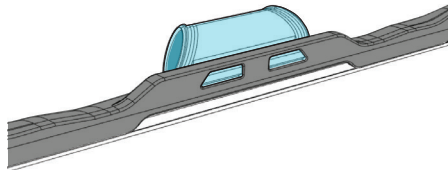
1

On the top case's center lift tab, align stylus holder's feet with the 2 cutouts, from the outside.



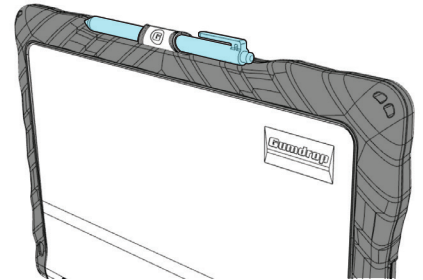
2

Press the stylus holder into the cutouts until you feel it click securely into place.



3

Slide stylus pen through the loop to store.



**Accessory sold separately*