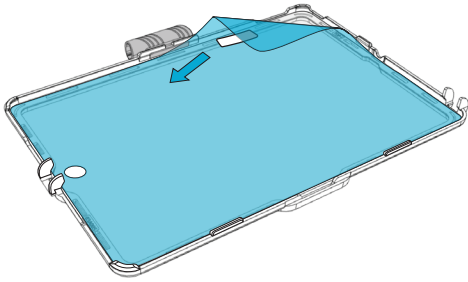


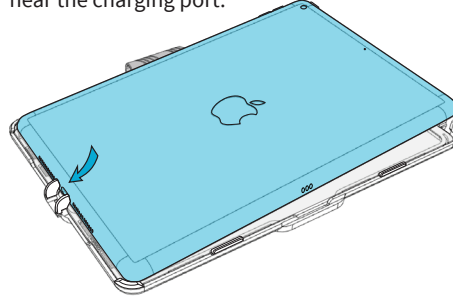
1

Remove the protective film(s) from the plastic screen overlay.



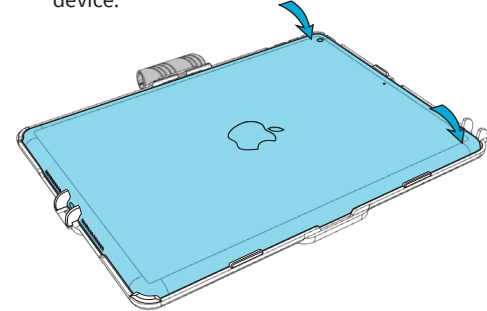
2

With the iPad face down, slide the **BOTTOM** of the device into place, underneath the PC hook, near the charging port.



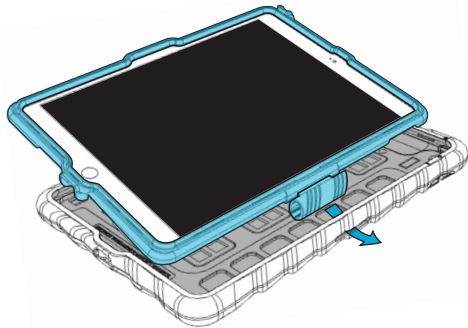
3

Press the rest of the iPad into the rigid frame, making sure all clips are secured onto the device.



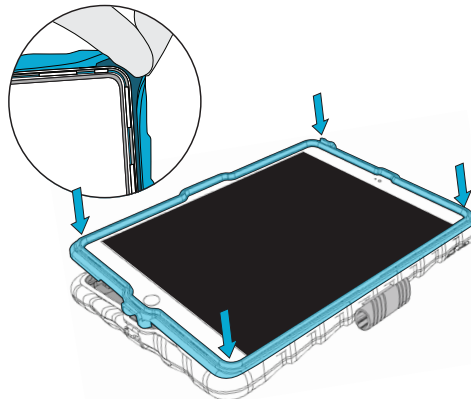
4

Flip the iPad over face up and insert the silicone stylus holder through the outer silicone wrap's right side cutout.



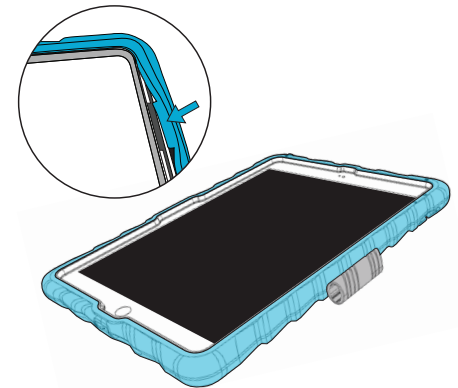
5

Insert the iPad while pulling the outer silicone wrap over the rigid frame on all sides of the case.



6

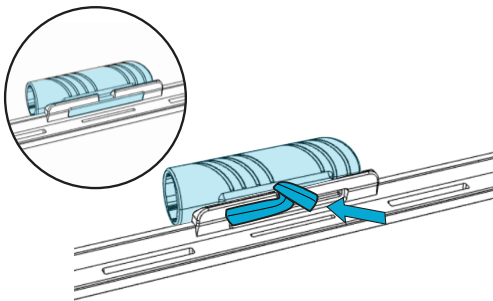
Massage the silicone tabs into the rigid frame notches until the silicone wrap is secured.



Silicone Stylus Holder

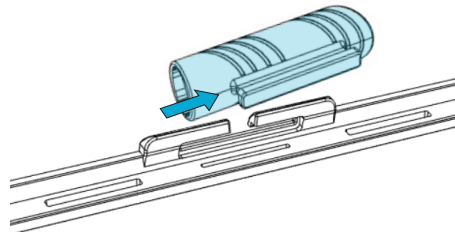
1

On the rigid frame, pull one side of the silicone T-bar tab out of the slot to loosen grip.



2

The repeat on the other side, in order to slide and fully remove the silicone stylus holder.



Shoulder Strap Mount

*Hideaway Shoulder Strap sold separately

